

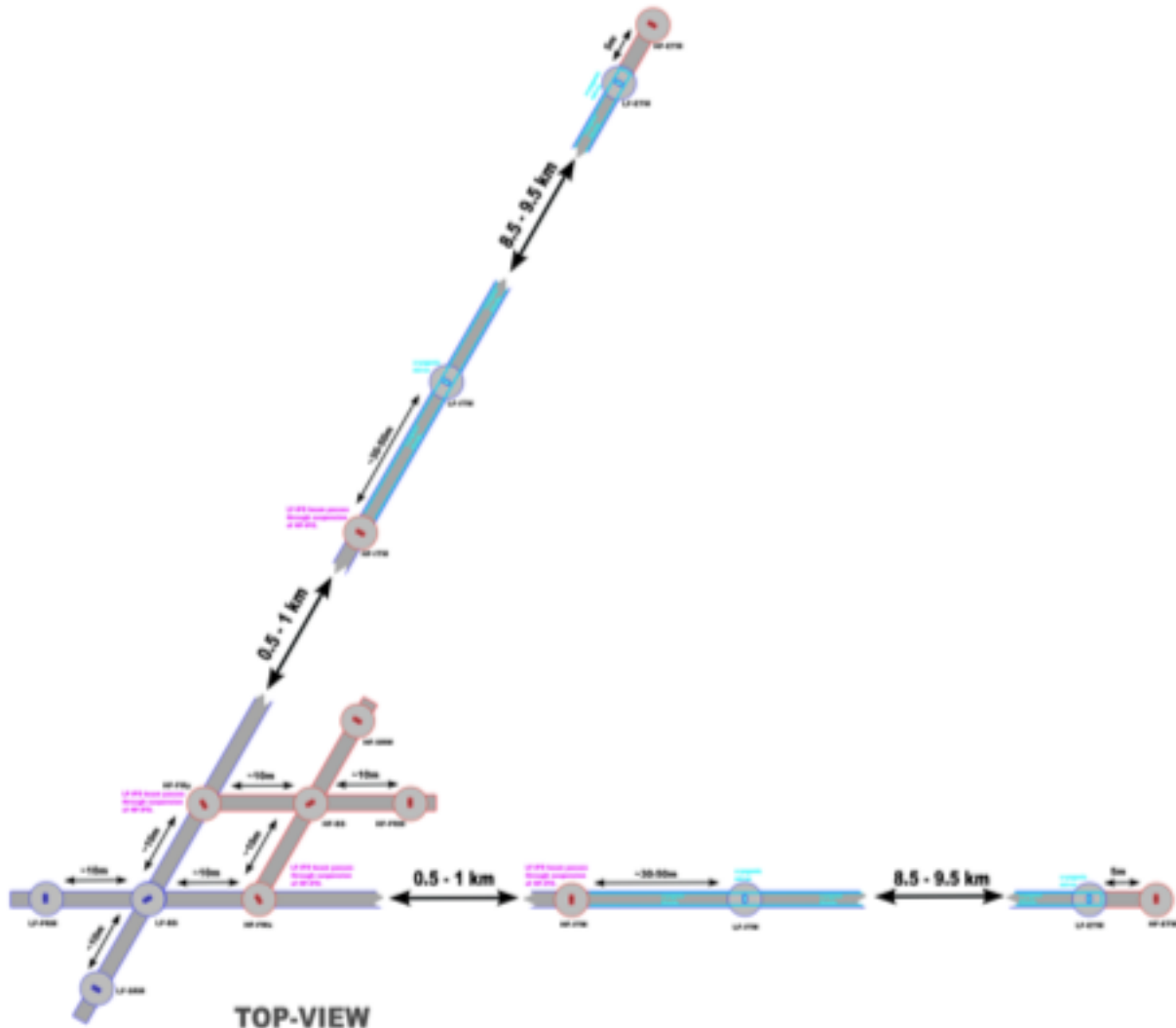


ET site infrastructure

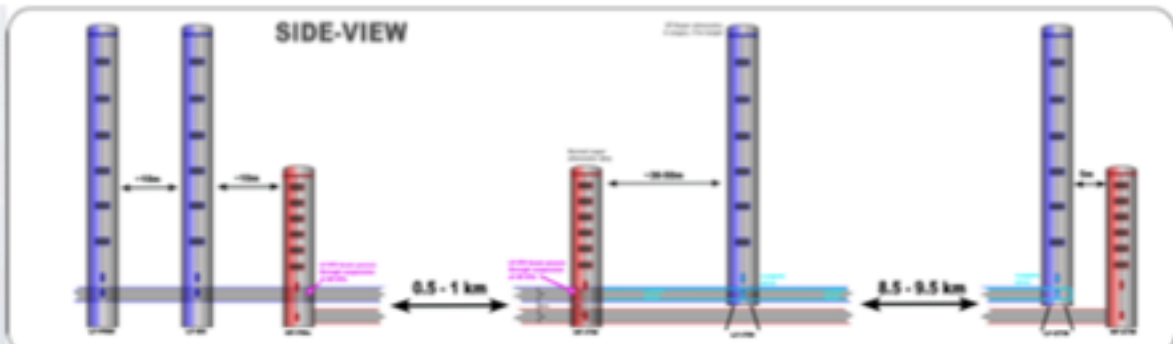
David Rabeling for the ET design team

ET General meeting, Budapest
Wednesday, 24 November 2010

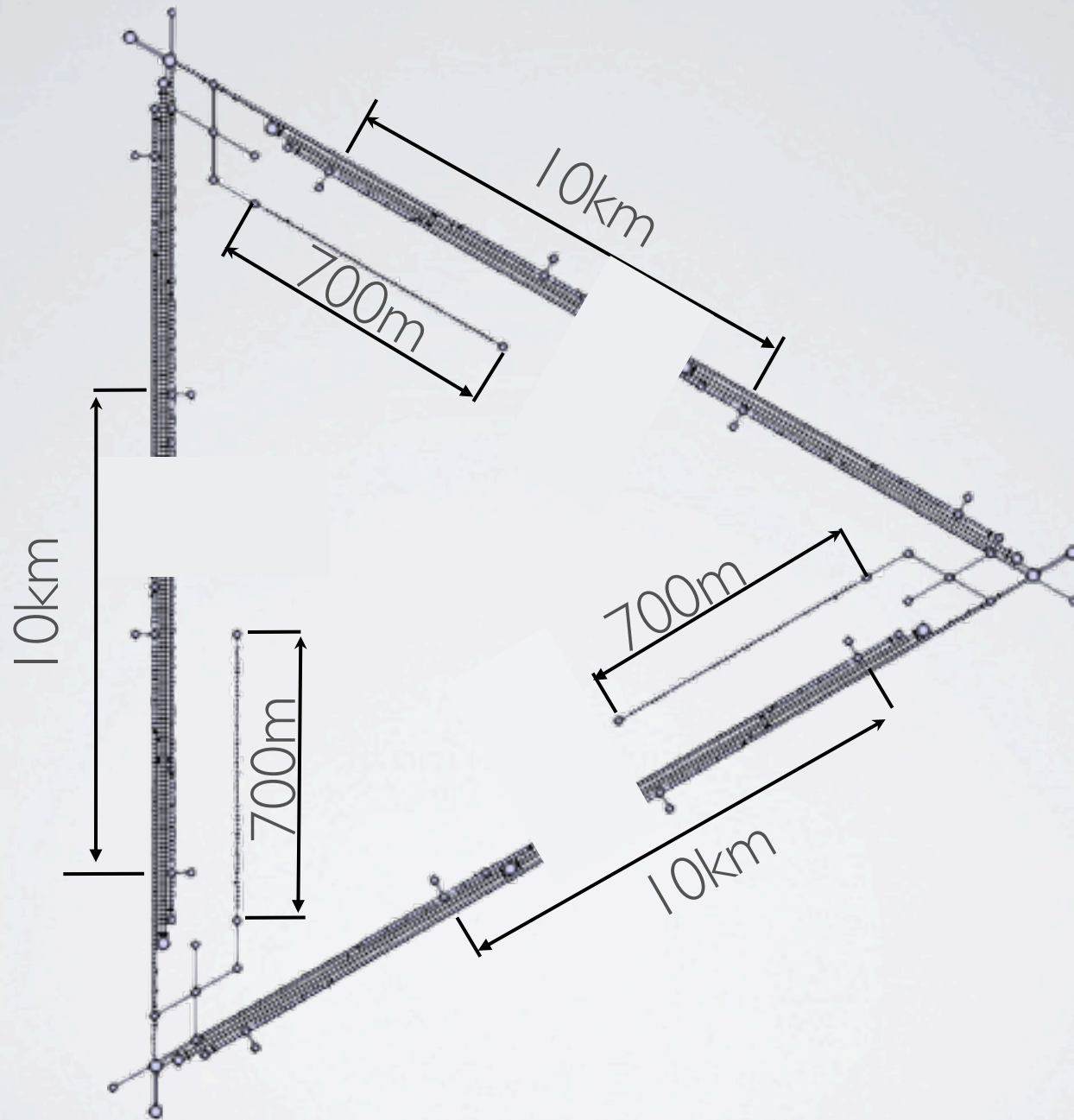
David Rabeling for the
ET design team



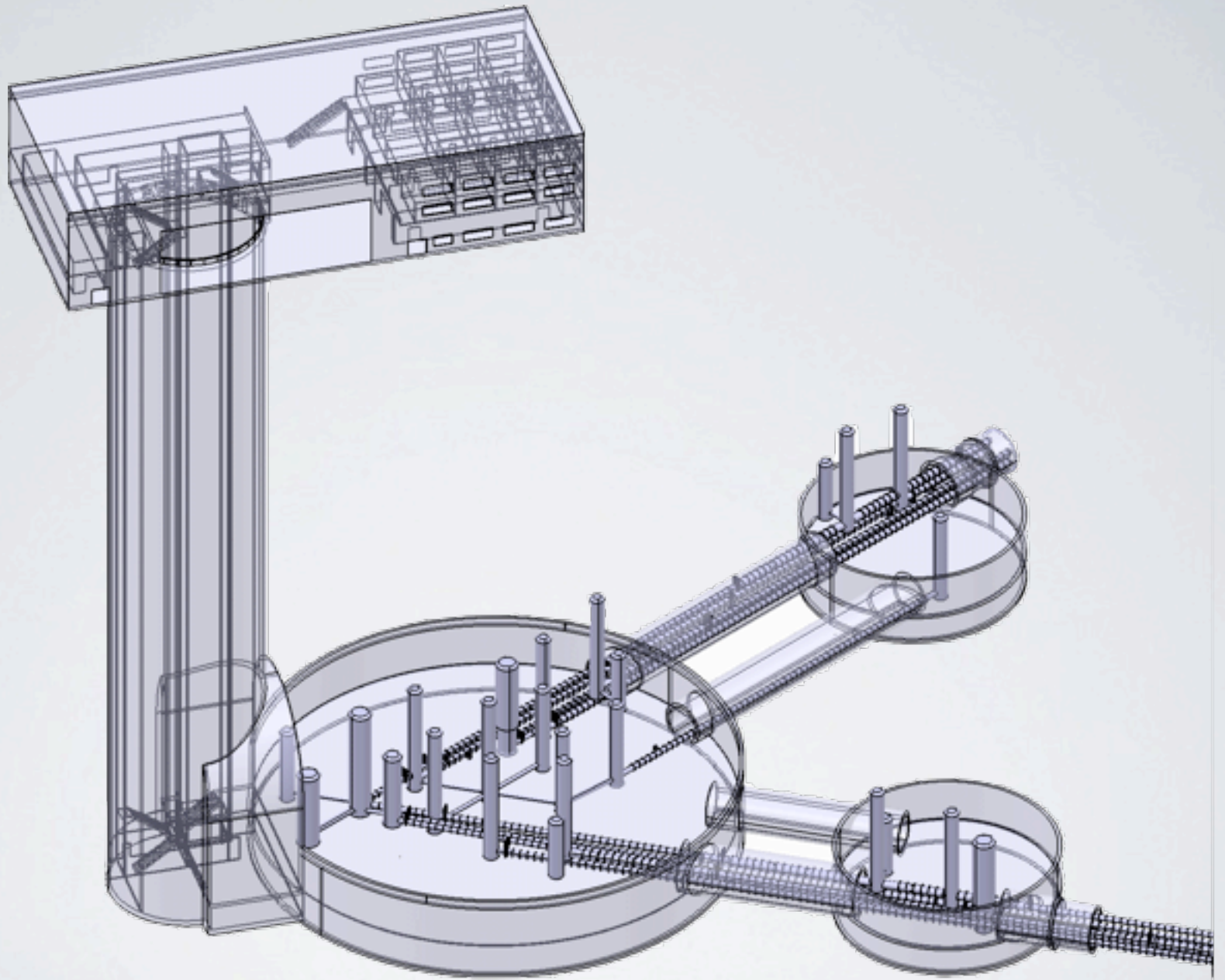
TOP-VIEW



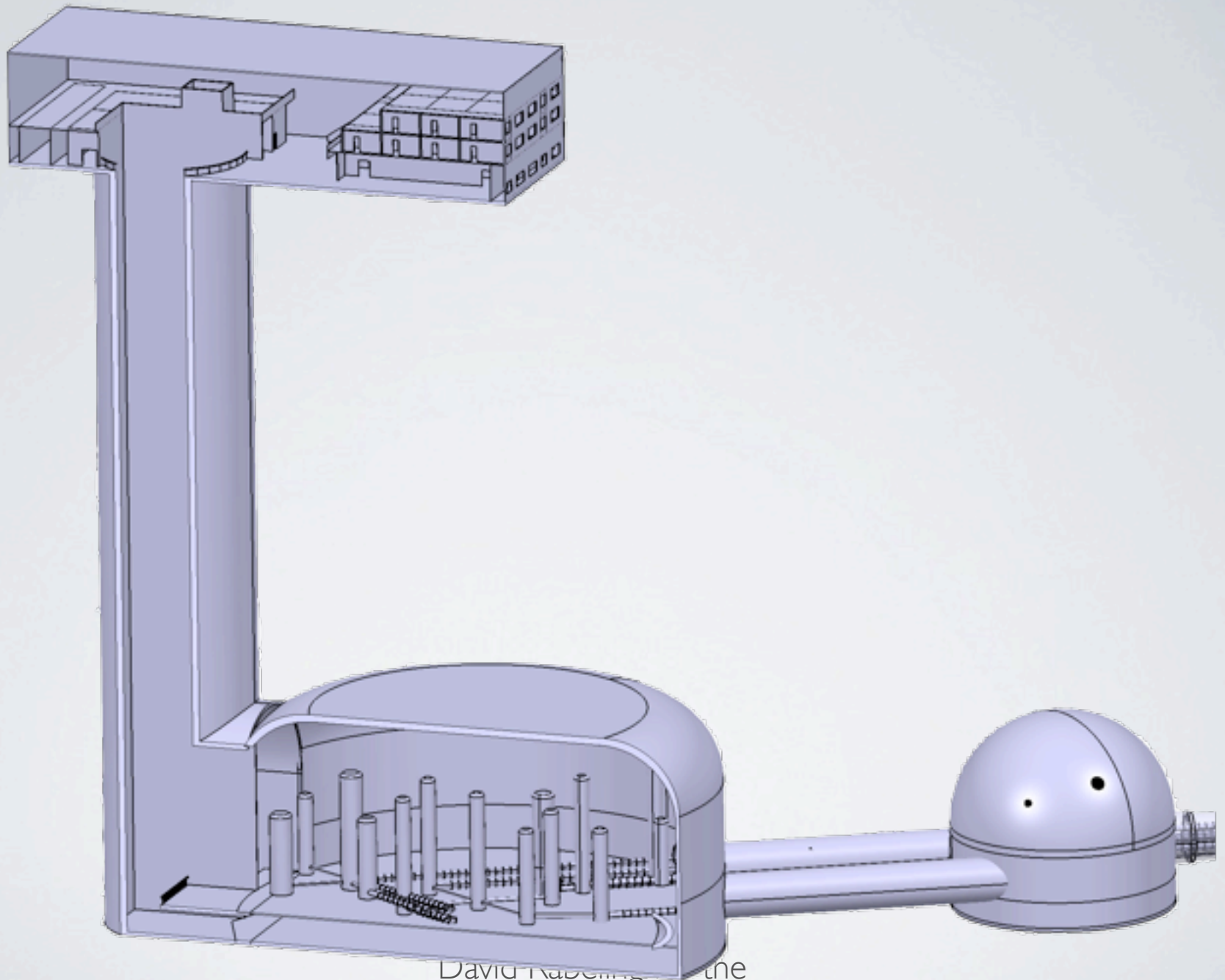
SIDE-VIEW



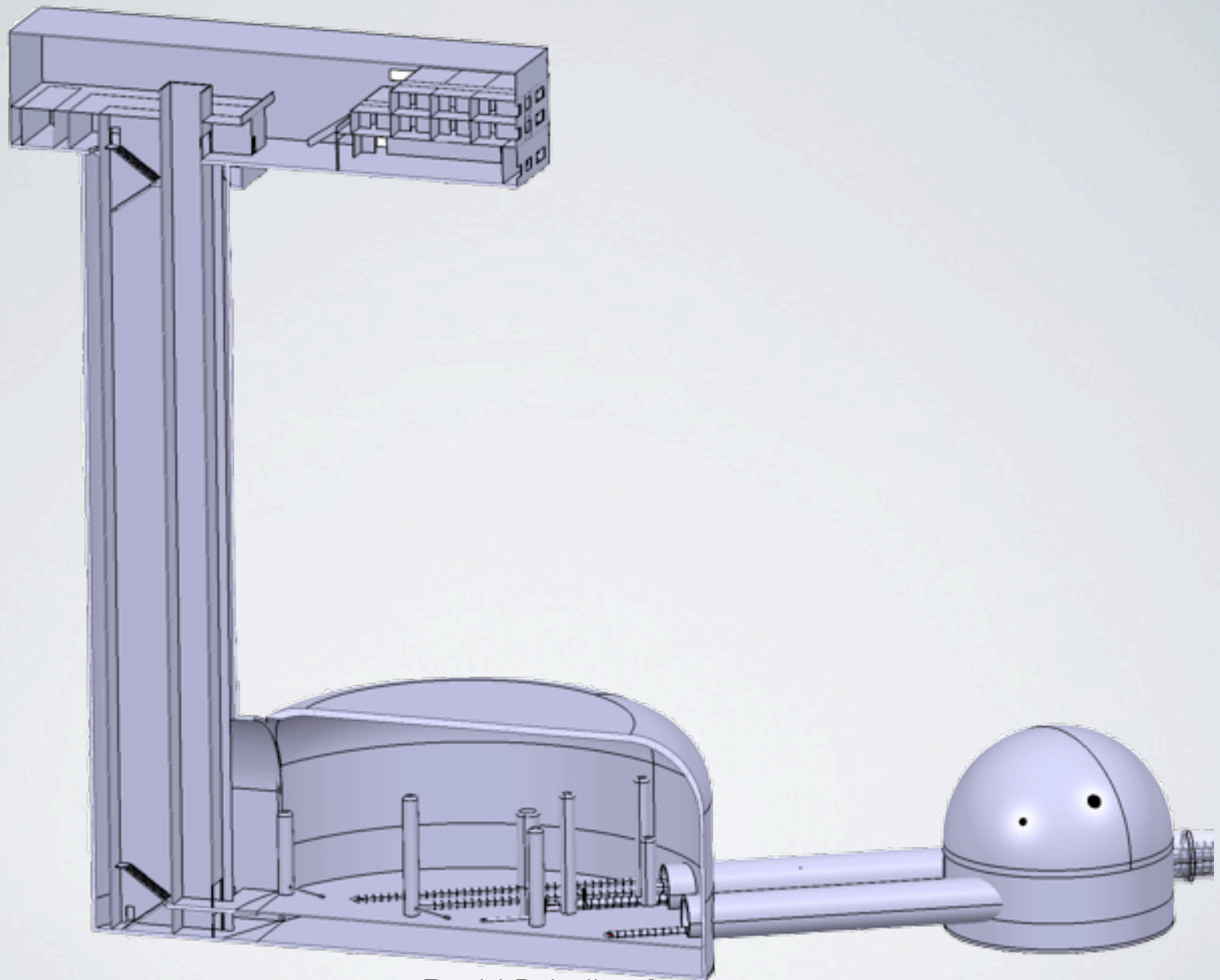
David Rabeling for the
ET design team



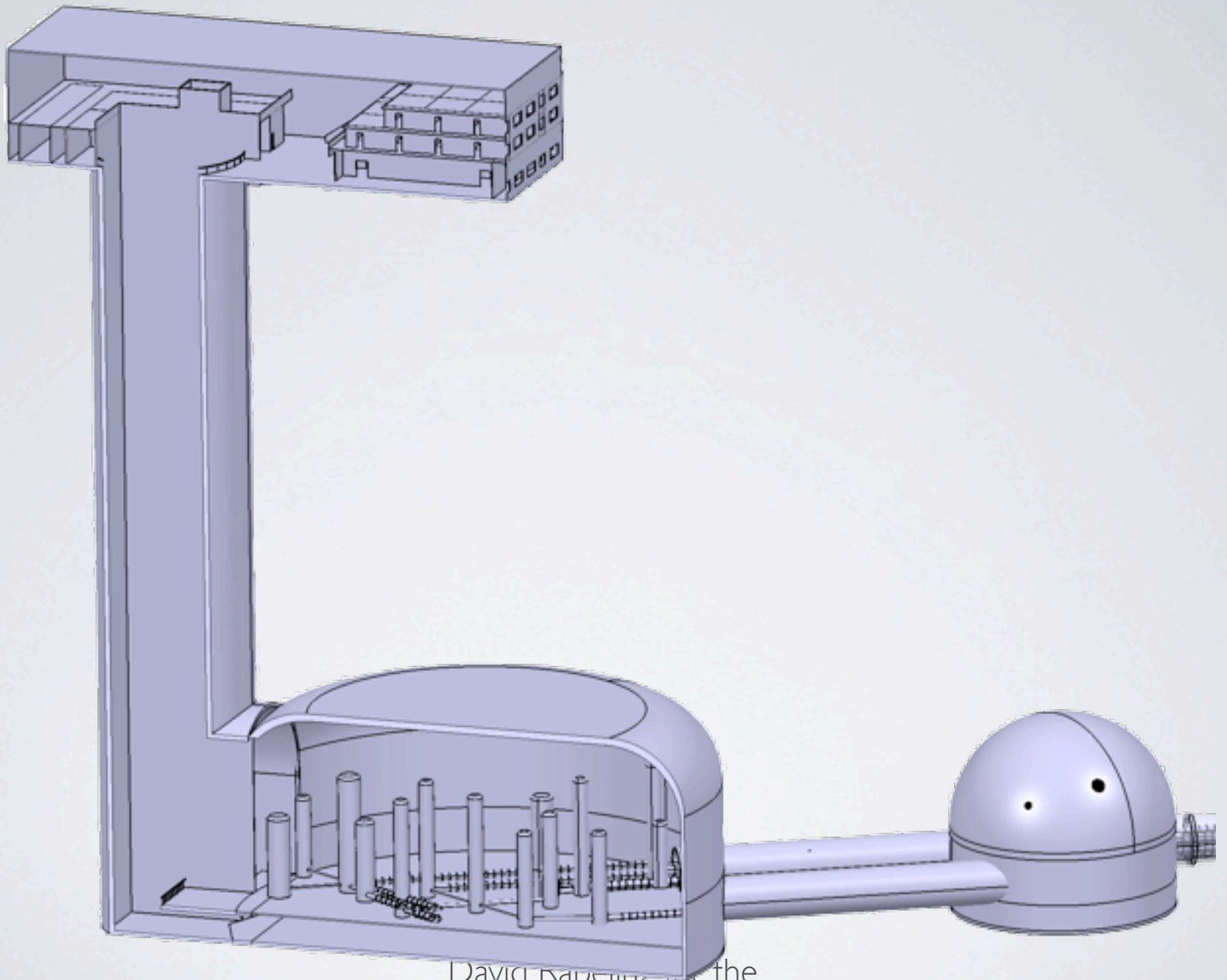
David Rabeling for the
ET design team



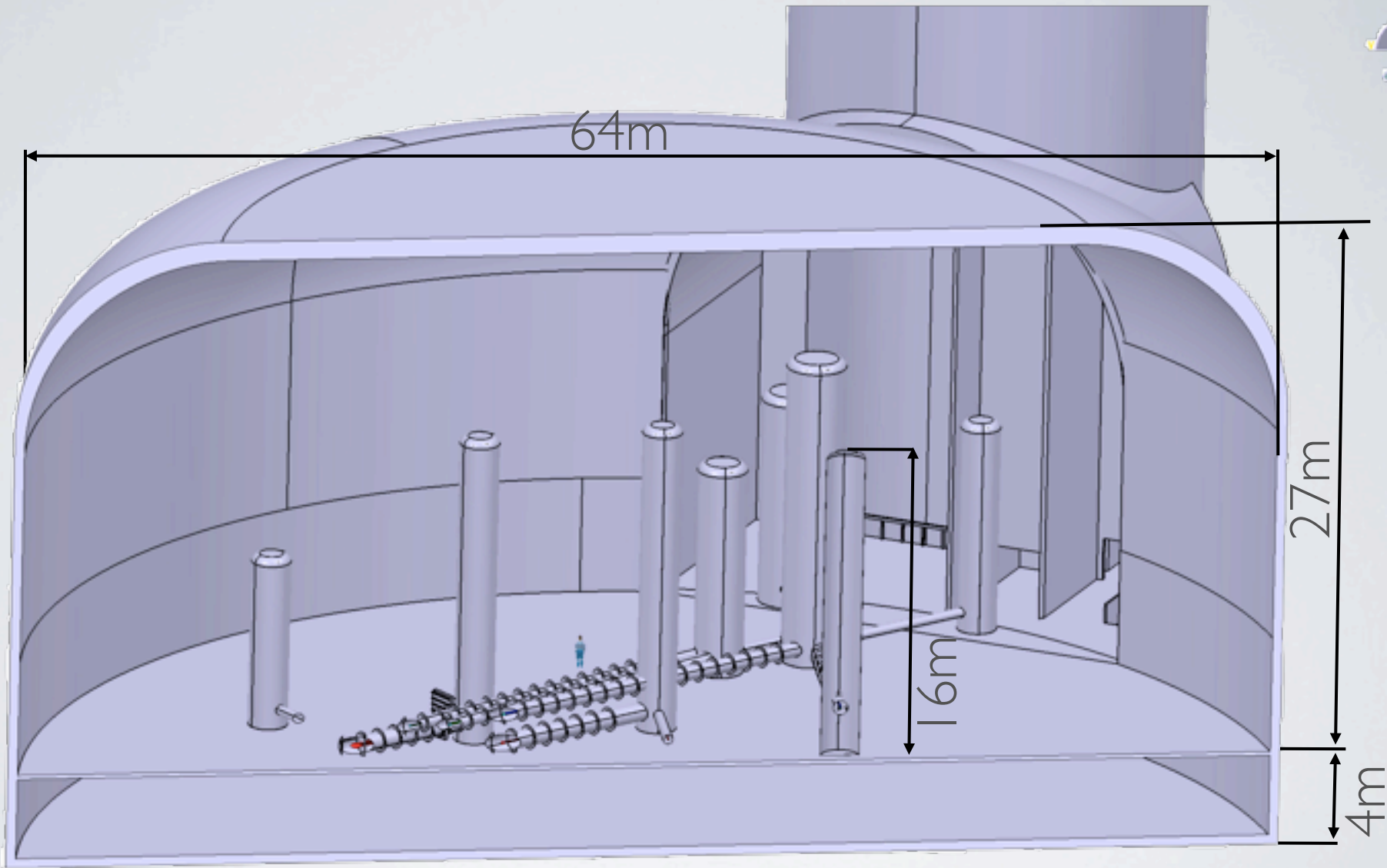
David Rabenold of the
ET design team



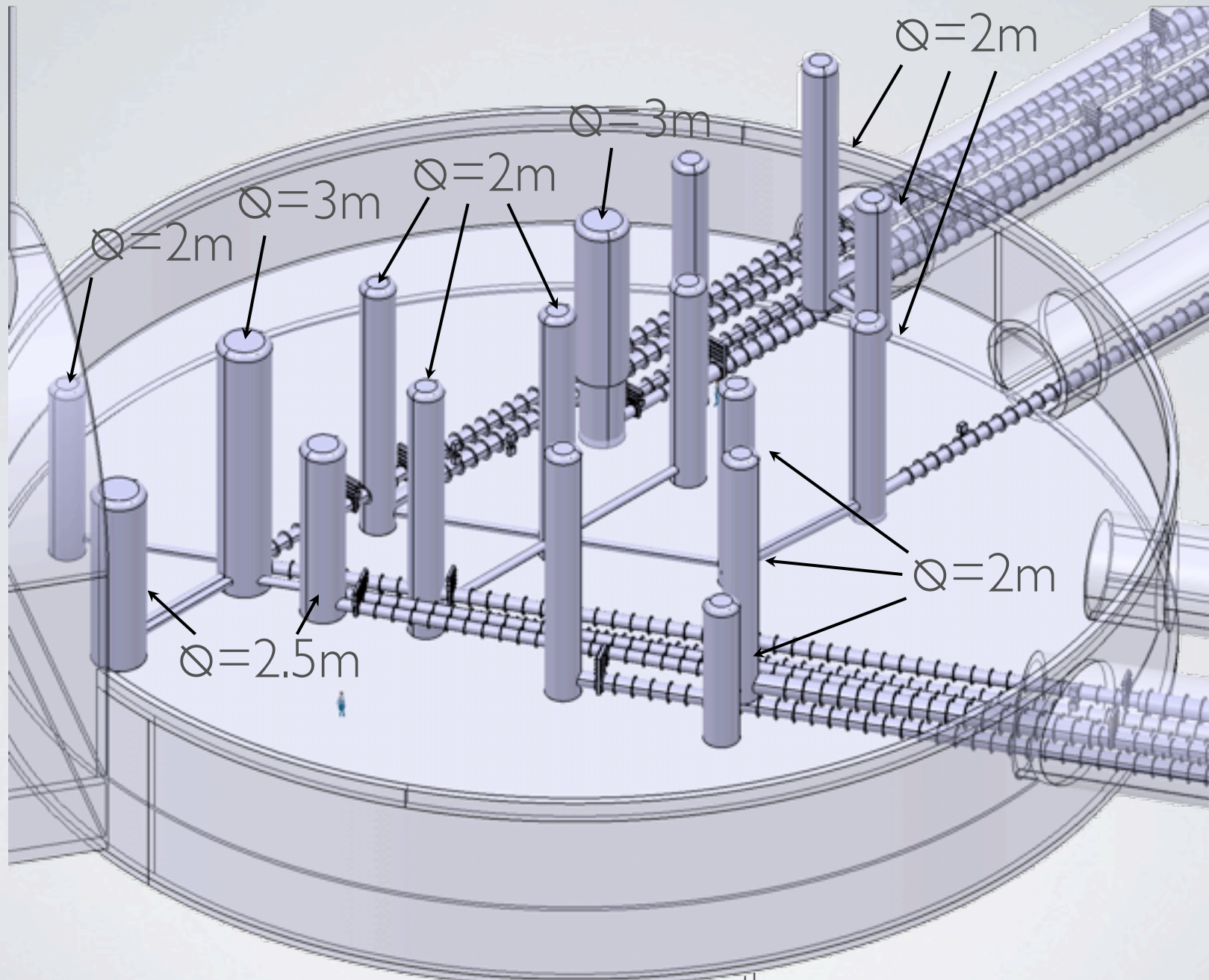
David Rabeling for the
ET design team



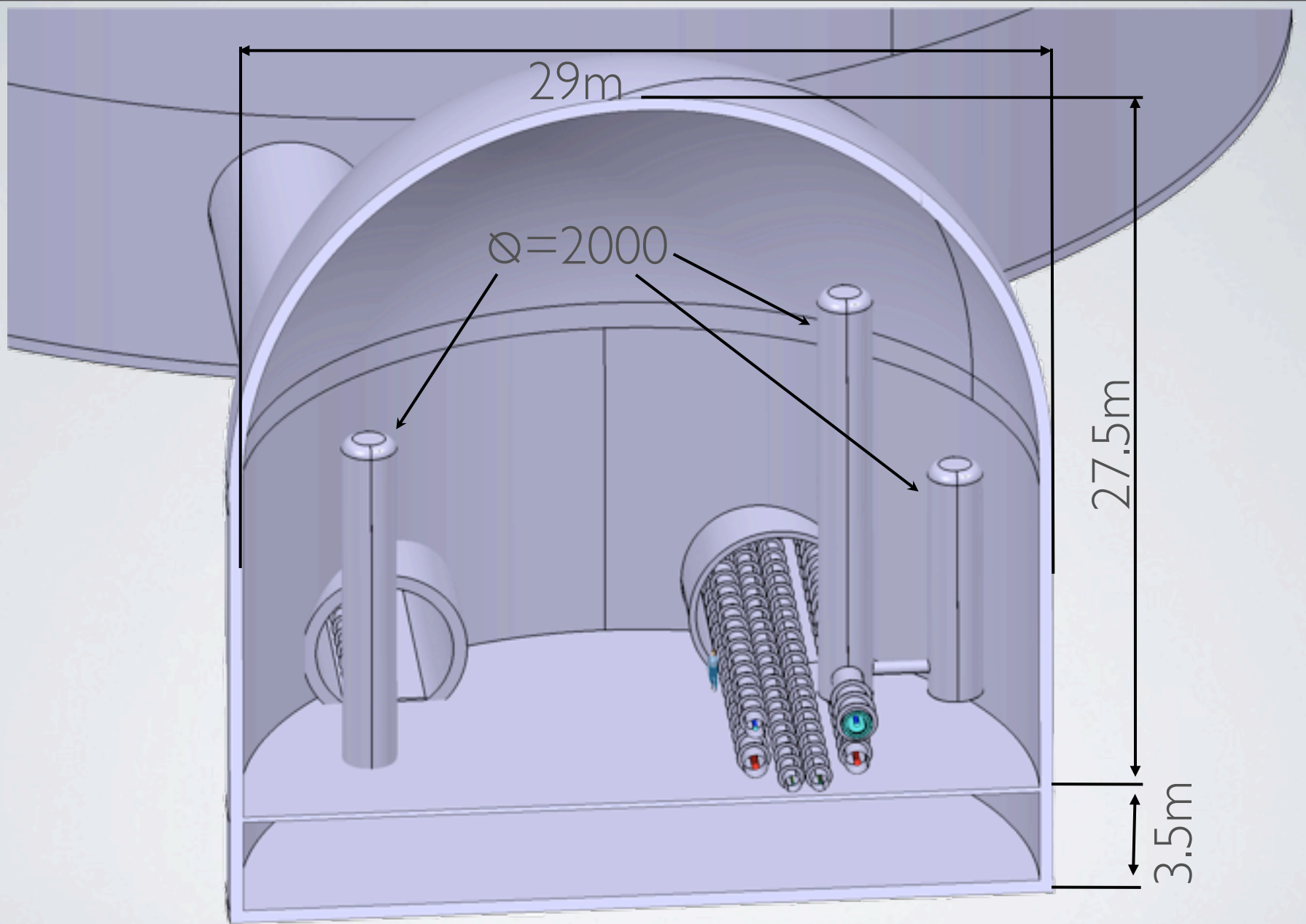
David Rabenig for the
ET design team



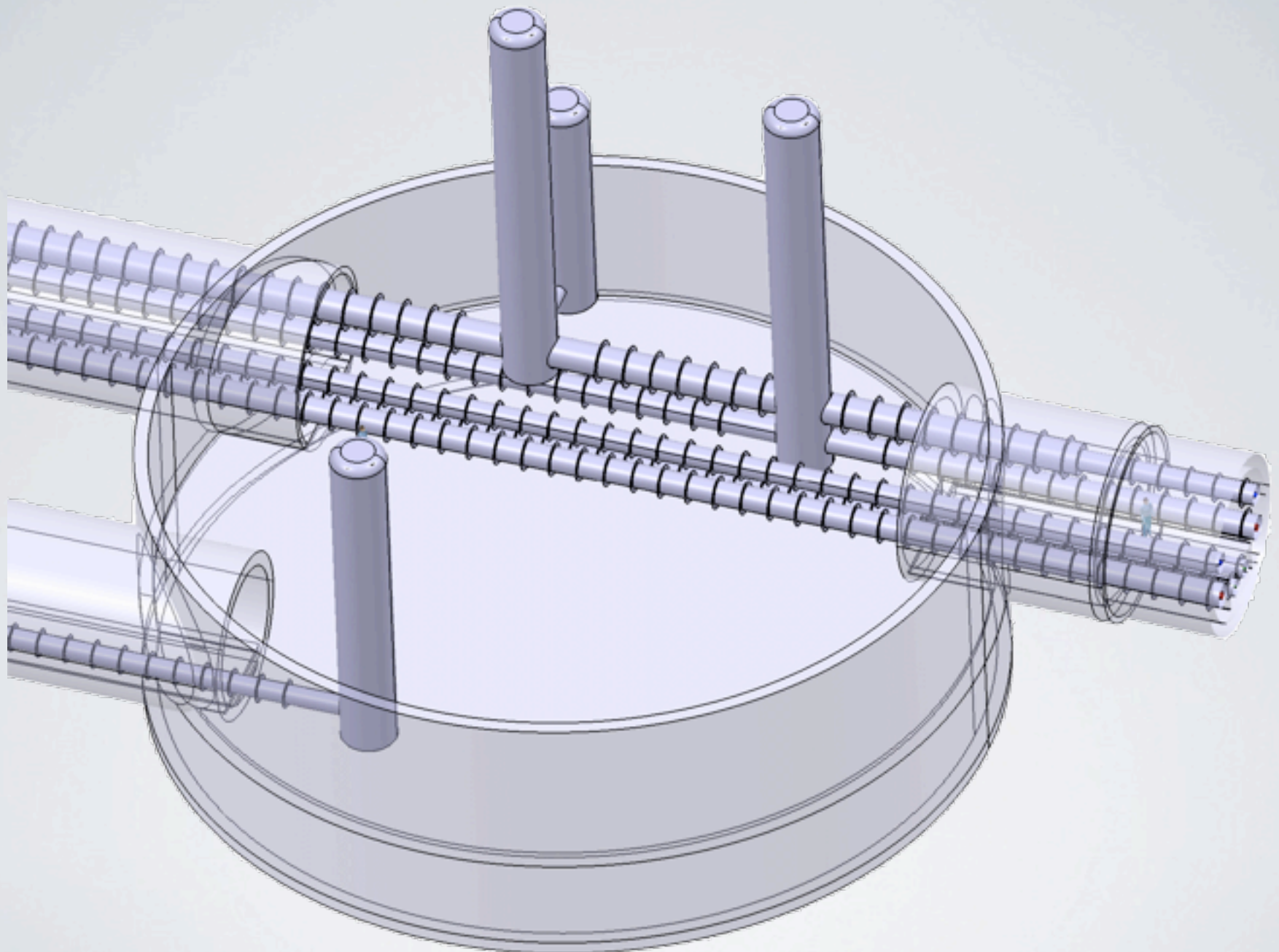
David Rabeling for the
ET design team



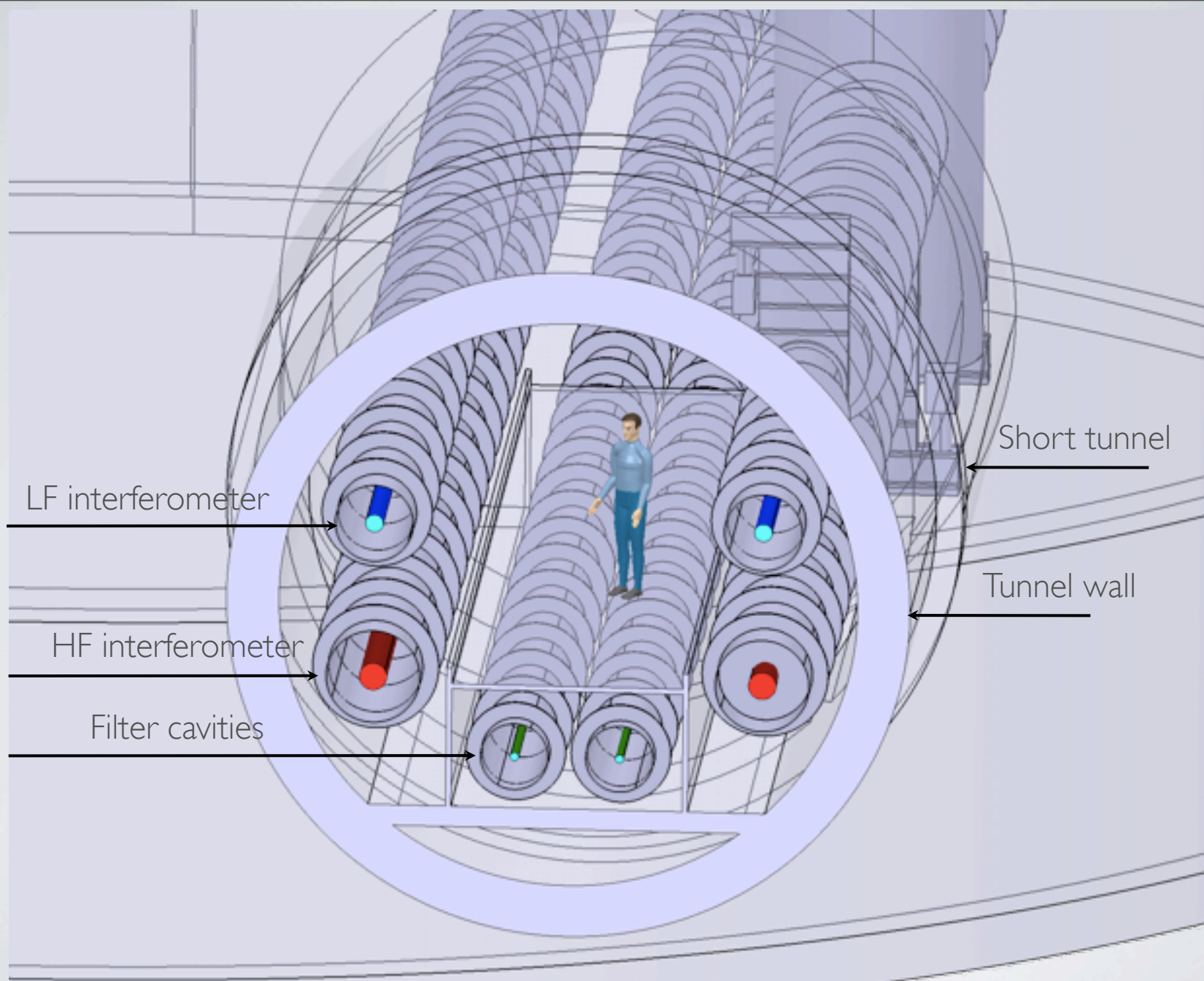
David Habering for the
ET design team



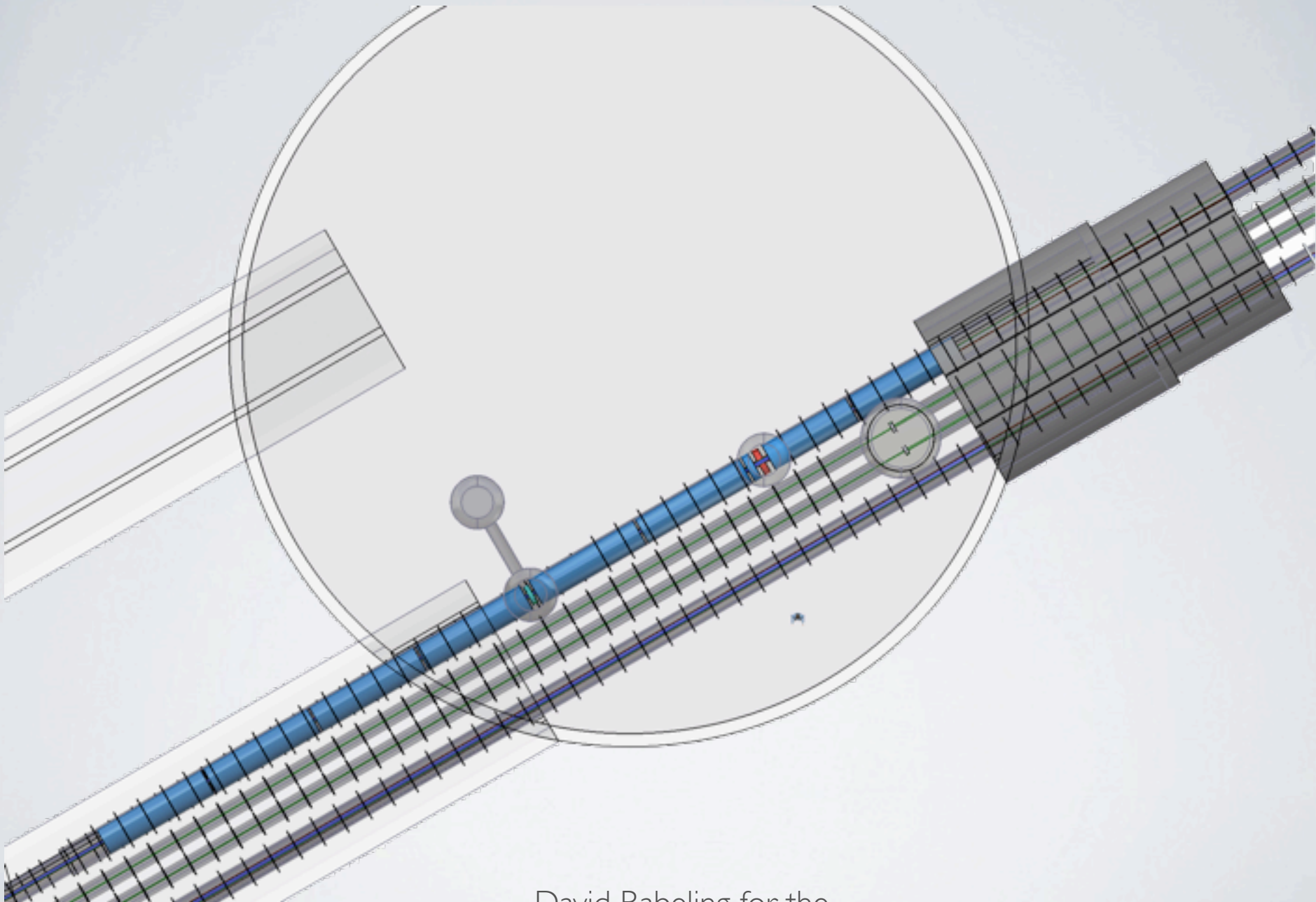
David Rabeling for the
ET design team



David Rabeling for the
ET design team



David Habbing for the ET design team



David Rabeling for the
ET design team

Tunnel

Main tunnel $\varnothing = 5500\text{mm}$

Short tunnel $\varnothing = 6000\text{mm}$

Outer $\varnothing =$ depends on soil

LF interferometer

Pipe section $\varnothing = 750\text{mm}$

Pipe mantle $\varnothing = 1050\text{mm}$

Cryo section $\varnothing = 1150\text{mm}$

Cryo mantle $\varnothing = 1510\text{mm}$

Filter cavities

HF section $\varnothing = 650\text{mm}$

HF mantle $\varnothing = 950\text{mm}$

LF section $\varnothing = 650\text{mm}$

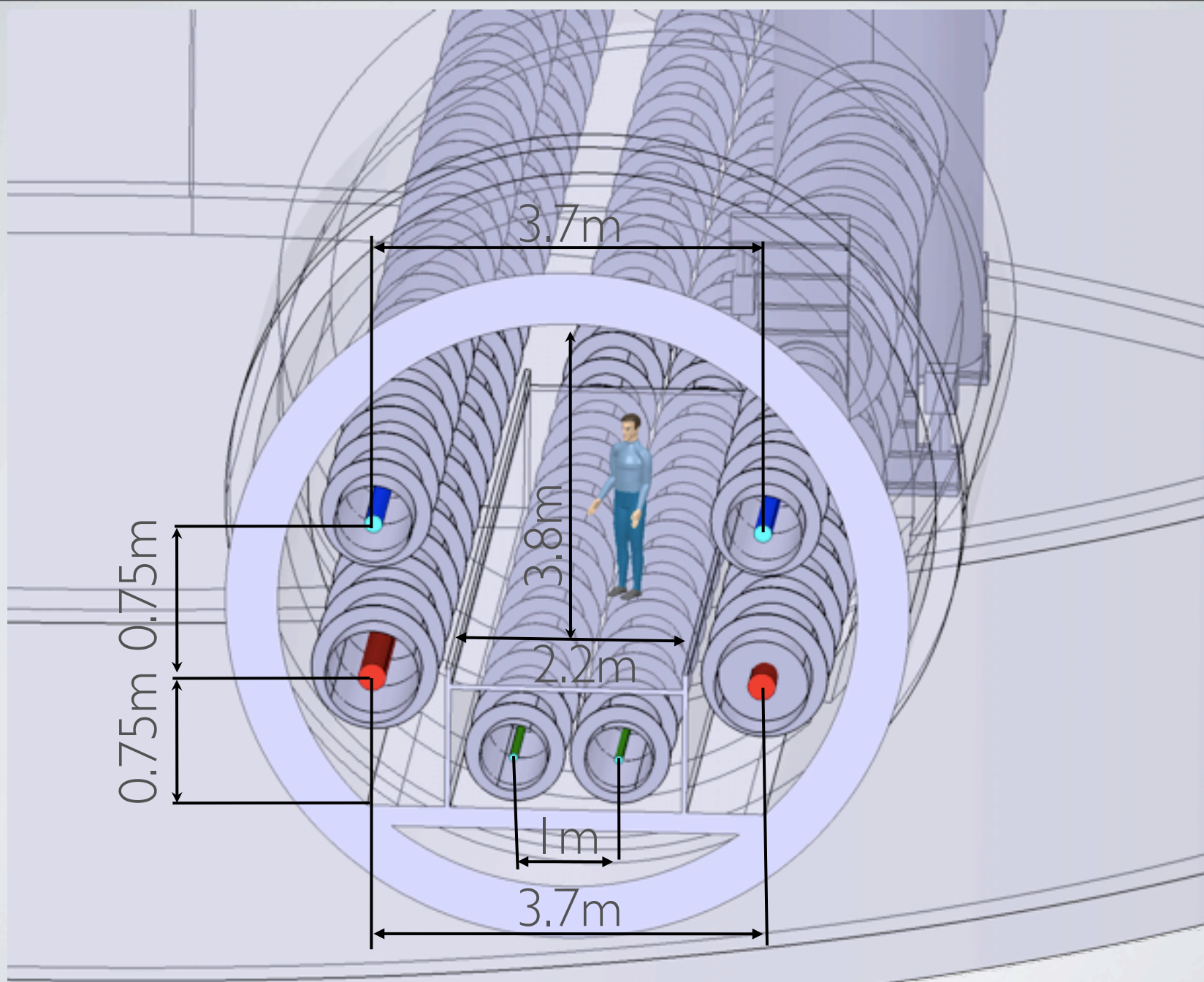
LF mantle $\varnothing = 950\text{mm}$

HF interferometer

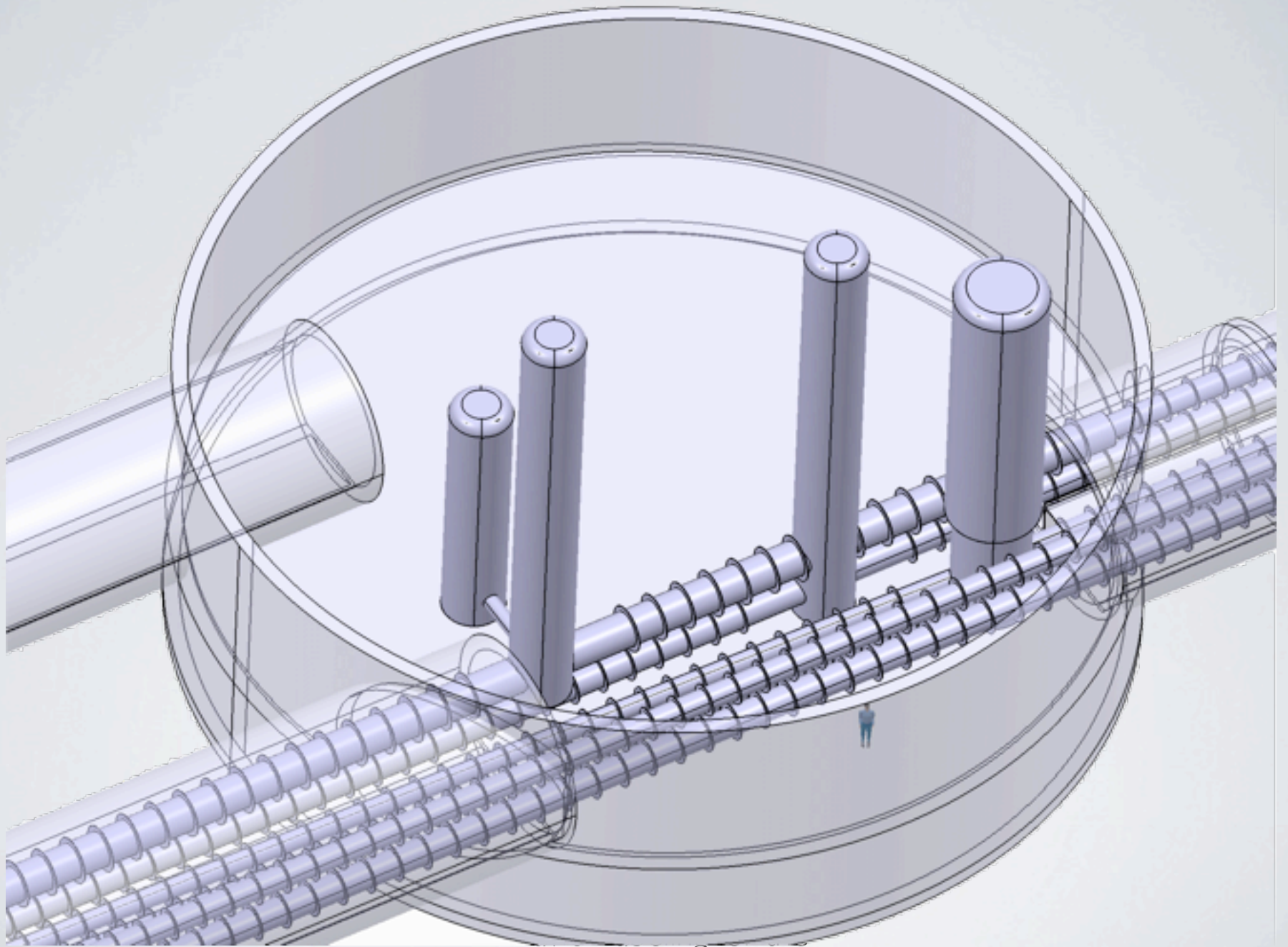
Pipe section $\varnothing = 900\text{mm}$

Pipe mantle $\varnothing = 1200\text{mm}$

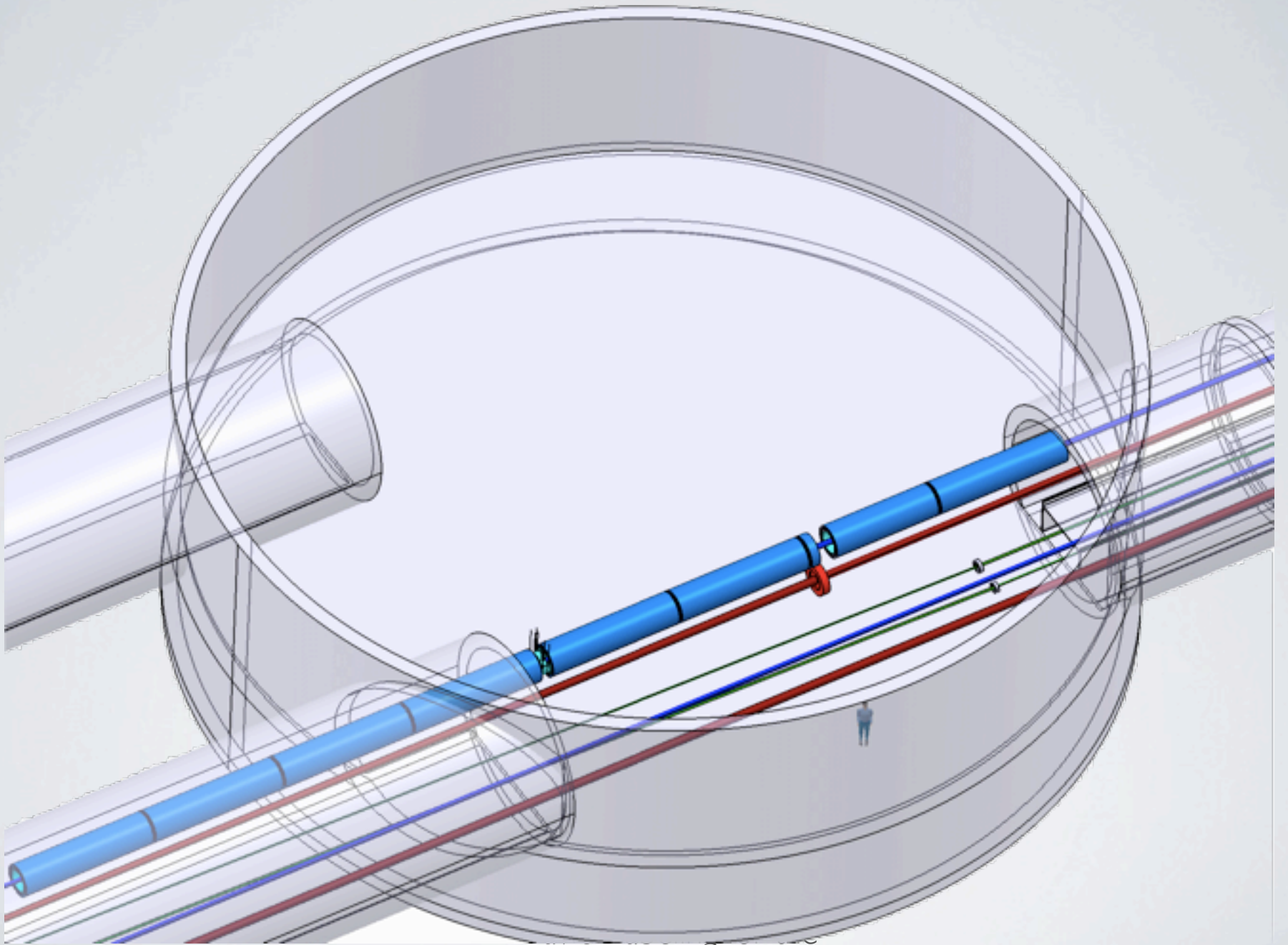
David Rabeling for the
ET design team



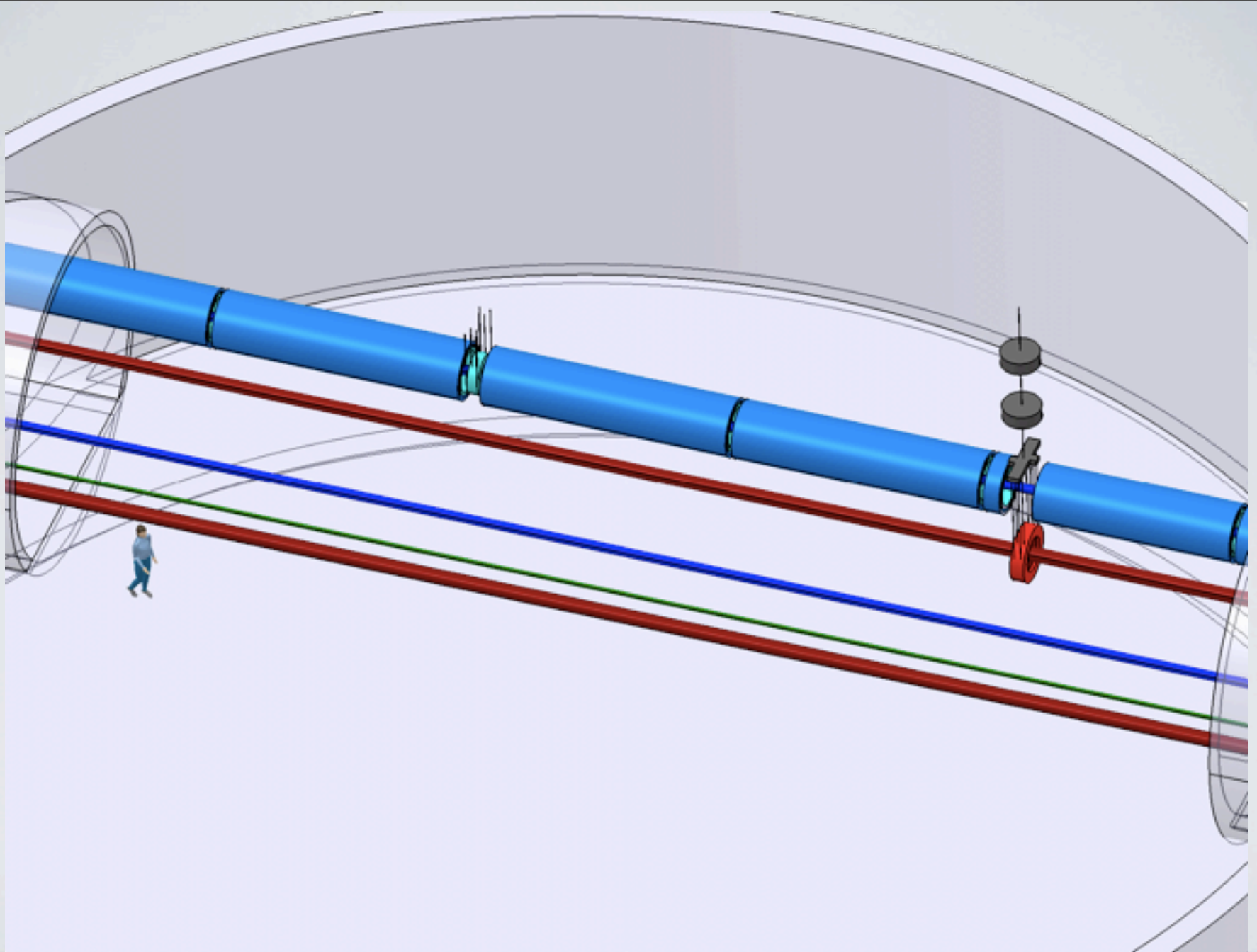
David Habbing for the ET design team



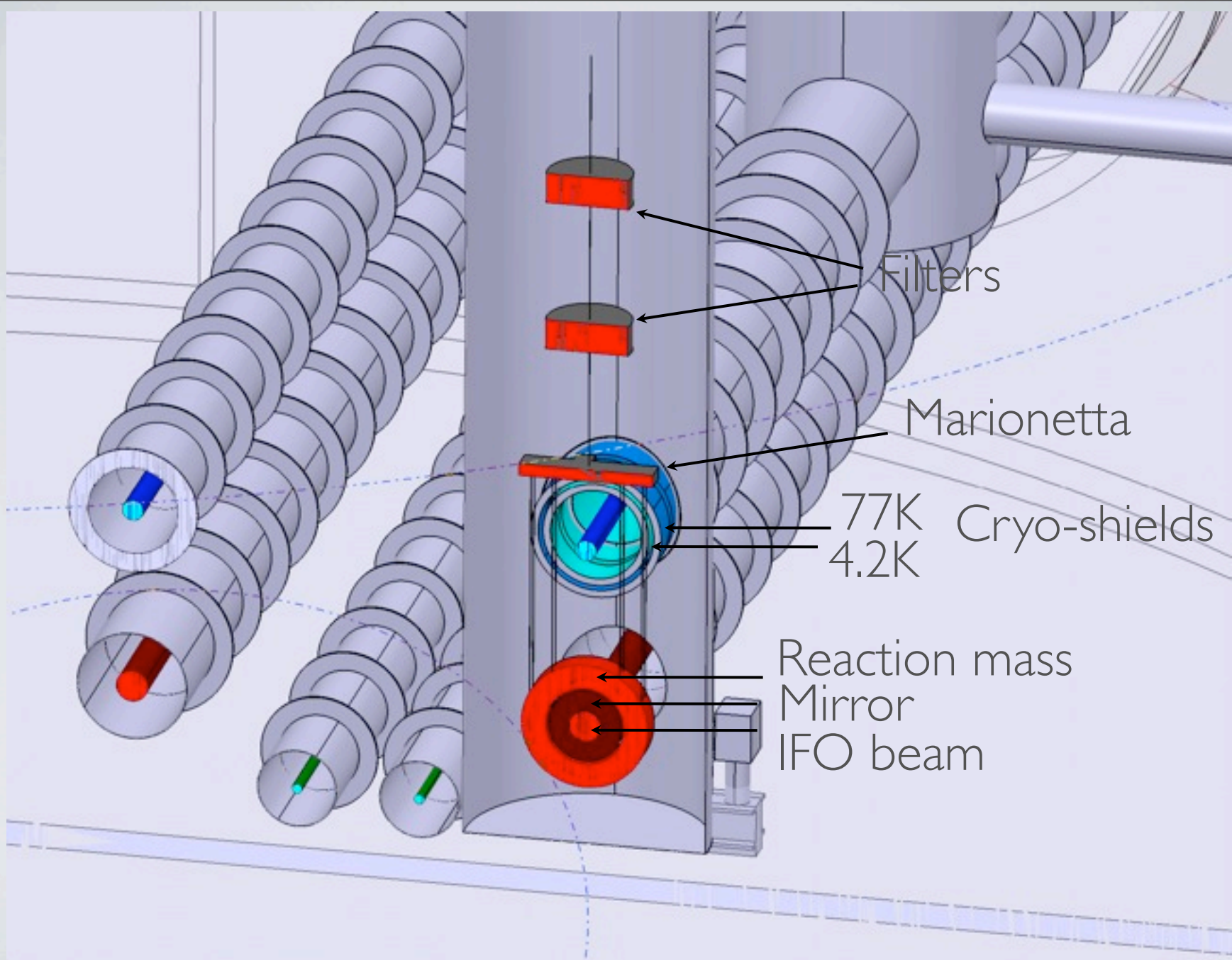
ET design team



ET design team

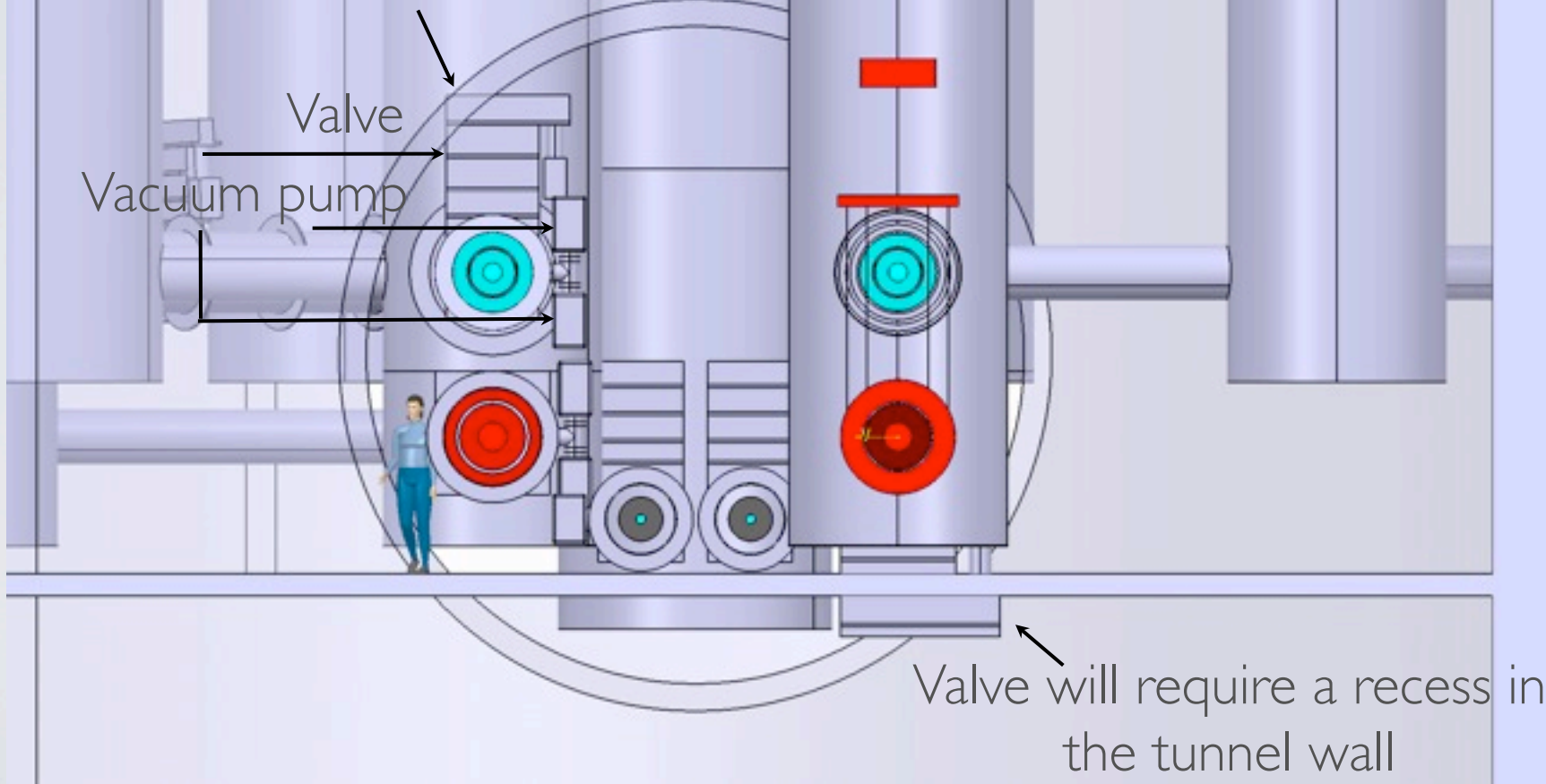


David Rabelling for the
ET design team



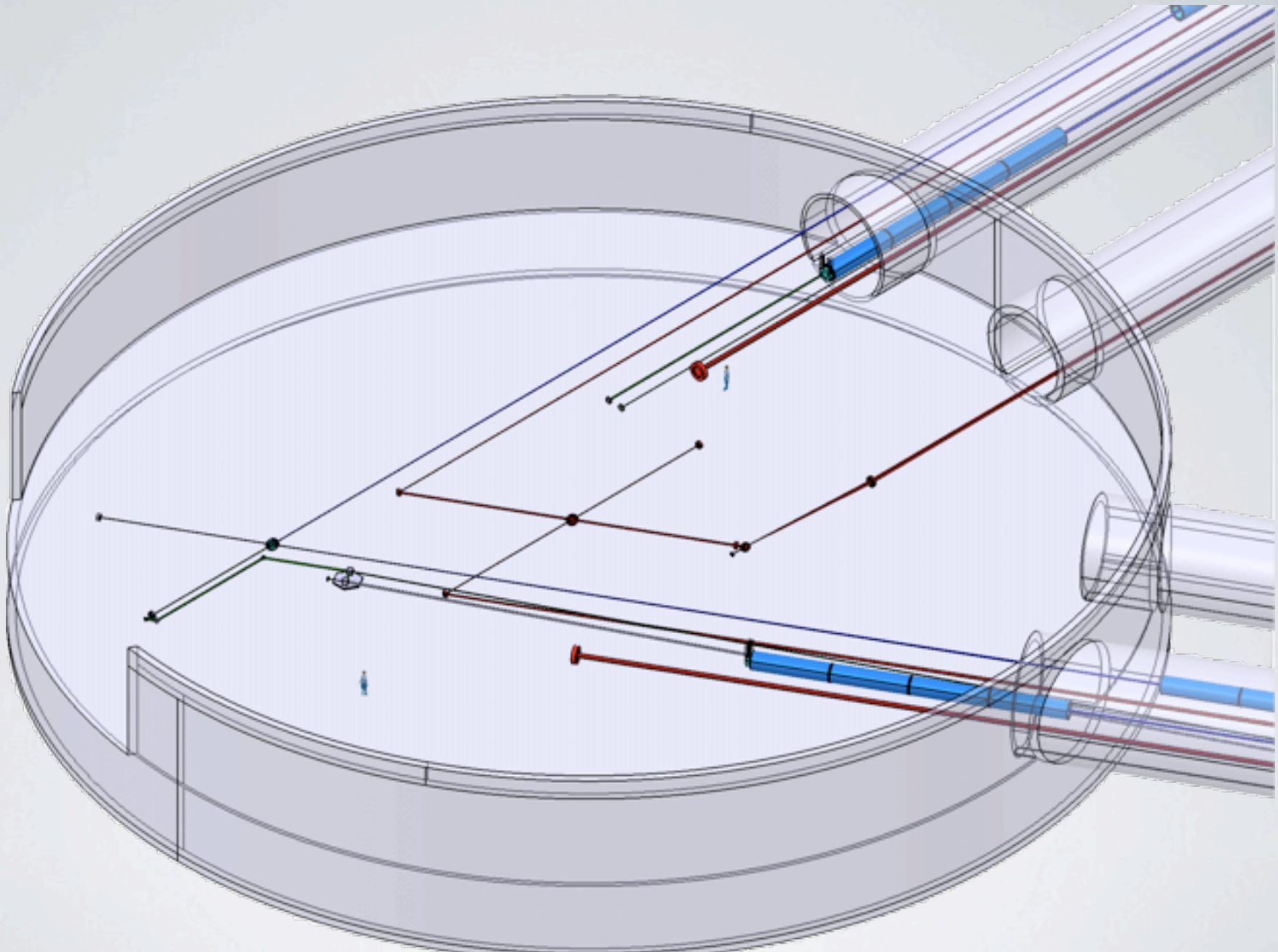
ET design team

Valve will require a recess in the tunnel wall

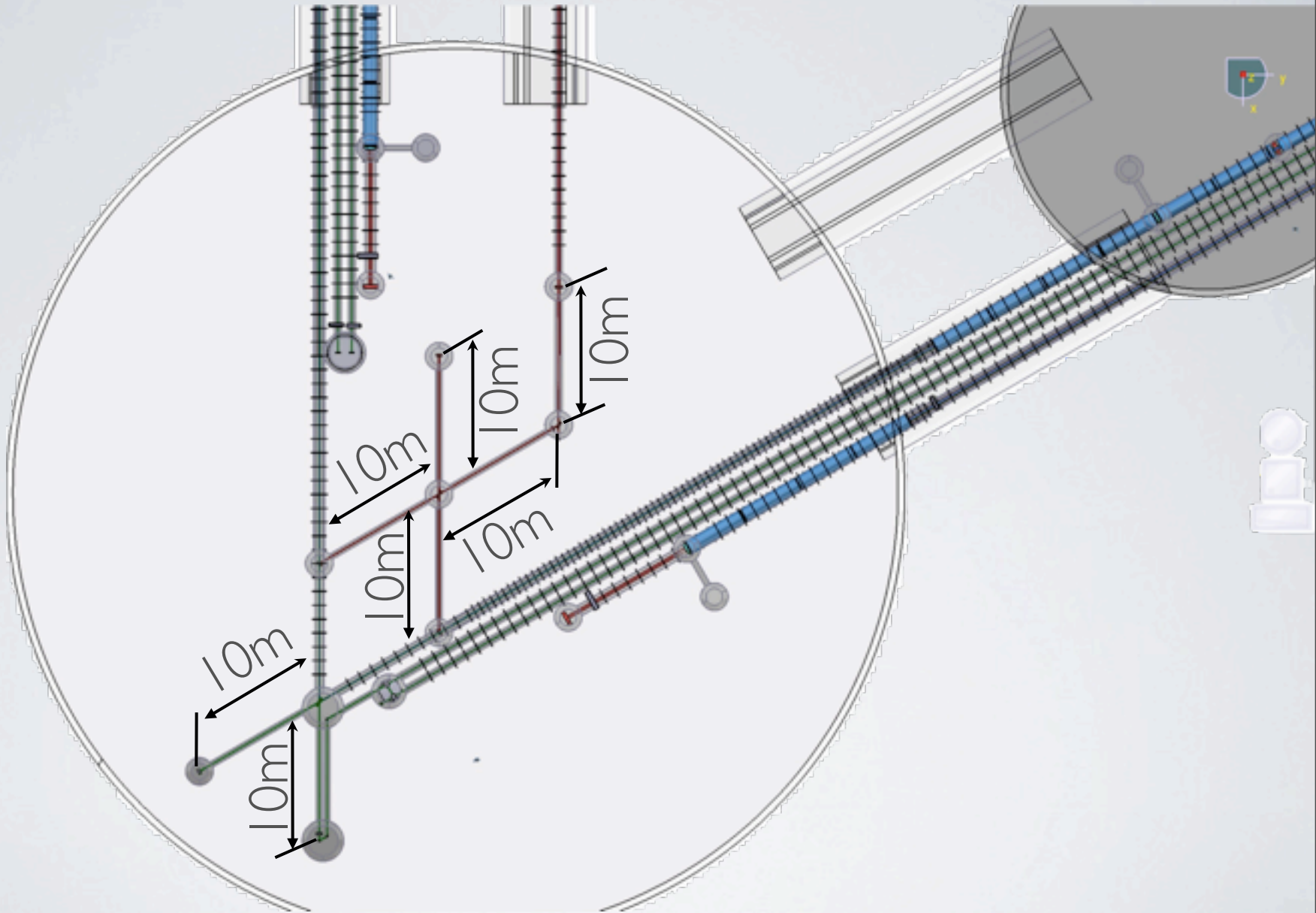


Valve will require a recess in the tunnel wall

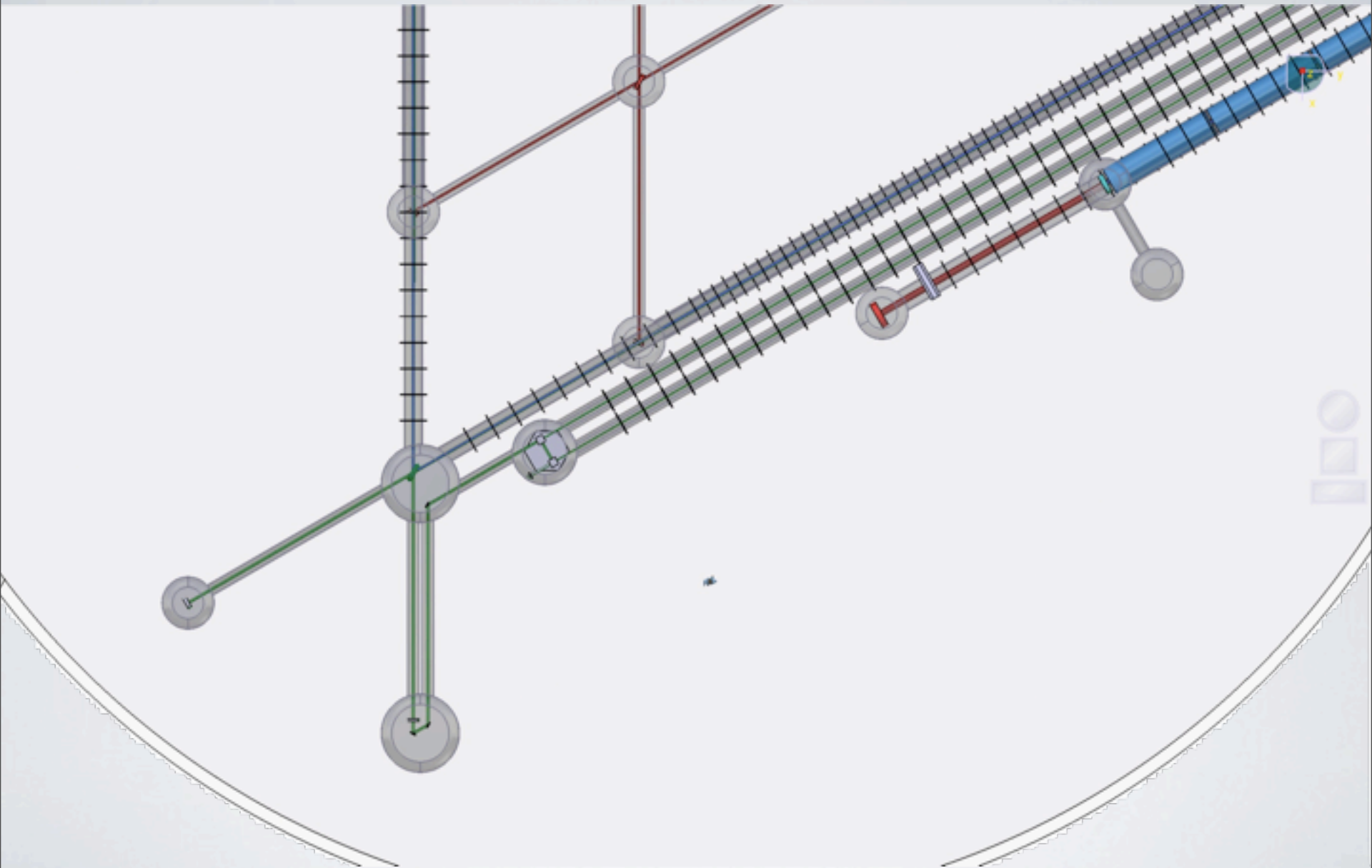
David Rabelling for the ET design team



David Rabeling for the
ET design team



David Rabeling for the
ET design team



David Rabeling for the
ET design team